

RESOLUTION NO. 2004-7

**RESOLUTION OF THE SOUTHERN CALIFORNIA PUBLIC POWER
AUTHORITY APPROVING AMENDMENT NO. 1 TO THE MAGNOLIA
POWER PROJECT BURBANK INTERCONNECTION AGREEMENT
(MAGNOLIA)**


WHEREAS, the Authority is the constructing the Magnolia Power Project (Project), located in the City of Burbank; and

WHEREAS, the Project Coordinating Committee has approved the attached Amendment No. 1 to the Magnolia Project Burbank Interconnection Agreement (the Amendment) between the City of Burbank and the Authority.

BE IT RESOLVED by the Board of Directors of the Southern California Public Power Authority as follows:

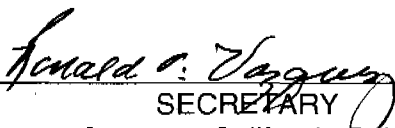
1. The form, terms and provisions of the Amendment in the form presented at this meeting, be and the same are hereby approved and adopted. The President or Vice President and the Secretary or Assistant Secretary of the Authority are hereby authorized and directed to execute, deliver, and attest and seal said Amendment with such changes, insertions and omissions as shall be approved by said President or Vice President (such approval to be evidenced by his execution and delivery thereof).
2. The President, Vice President, Secretary and Assistant Secretary and other officers of the Authority are hereby authorized and directed to execute and deliver any and all documents and instruments and to do and cause to be done any and all acts and things necessary or proper for carrying out the transactions contemplated by this resolution.
3. This resolution shall become effective immediately.

THE FOREGOING RESOLUTION is approved and adopted by the Authority this 19th day of February, 2004.



PRESIDENT
Southern California Public
Power Authority

ATTEST:



SECRETARY
Southern California Public
Power Authority

AMENDMENT NO. 1

Dated as of February 19, 2004

to

MAGNOLIA POWER PROJECT

BURBANK INTERCONNECTION AGREEMENT

BETWEEN

CITY OF BURBANK

AND

SOUTHERN CALIFORNIA PUBLIC POWER AUTHORITY

Dated as of March 1, 2003

TABLE OF CONTENTS

	Page
1. RECITALS.....	1
2. AMENDMENT TO SECTION 12.2 OF THE AGREEMENT.....	1
3. AMENDMENT OF APPENDIX B TO THE AGREEMENT.....	3
4. AMENDMENT OF APPENDIX D TO THE AGREEMENT.....	4

**AMENDMENT NO. 1 TO
MAGNOLIA POWER PROJECT
BURBANK INTERCONNECTION AGREEMENT**

This AMENDMENT NO. 1, dated as of February 19, 2004, to the Magnolia Power Project Burbank Interconnection Agreement ("Amendment No. 1"), is entered into by and between the CITY OF BURBANK, a charter city and municipal corporation duly organized and existing by virtue of the laws of the State of California ("Burbank"), and the SOUTHERN CALIFORNIA PUBLIC POWER AUTHORITY, a joint exercise of powers authority organized and existing under the laws of the State of California ("SCPPA").

1. **RECITALS.** This Amendment is made with reference to the following facts among others:

Burbank and SCPPA have heretofore entered into a Burbank Interconnection Agreement (the "Agreement"), dated March 1, 2003, in connection with the construction and operation of the Project (as defined in the Agreement).

Burbank and SCPPA desire to amend the Agreement in certain respects, as set forth in this Amendment No. 1.

2. **AMENDMENT TO SECTION 12.2 OF THE AGREEMENT.** Section 12.2 of the Agreement is amended to read in its entirety as follows:

12.2 Recomputation of Cost Ratio. The Cost Responsibility Ratio shall be recomputed, and Appendices B and D revised, as additional Connections are made or removed. Such revisions to Appendices B and D shall not constitute an amendment to this Agreement. The Station Operator shall notify SCPPA and all Participants of such revisions.

3. **AMENDMENT TO APPENDIX B OF THE AGREEMENT.** Appendix B of the Agreement is amended as shown in Attachment 1.
4. **AMENDMENT TO APPENDIX D OF THE AGREEMENT.** Appendix D of the Agreement is amended as shown in Attachment 2.
5. **OTHER PROVISIONS REMAIN IN EFFECT.** Except as expressly amended herein, all of the provision of the Agreement shall remain in full force and effect.
6. **EFFECTIVE DATE.** This Amendment No. 1 shall become effective upon execution by the Parties.

7. **COUNTERPARTS.** This Amendment No. 1 may be executed in any number of counterparts, each of which, when so executed and delivered, shall be an original; such counterparts shall together constitute but one and the same instrument.

IN WITNESS WHEREOF, the Parties have caused this Amendment No. 1 to be executed by their respective duly authorized representatives, all as of the day and year first above written.

CITY OF BURBANK

By: _____
General Manager

Attest: _____

SOUTHERN CALIFORNIA PUBLIC
POWER AUTHORITY

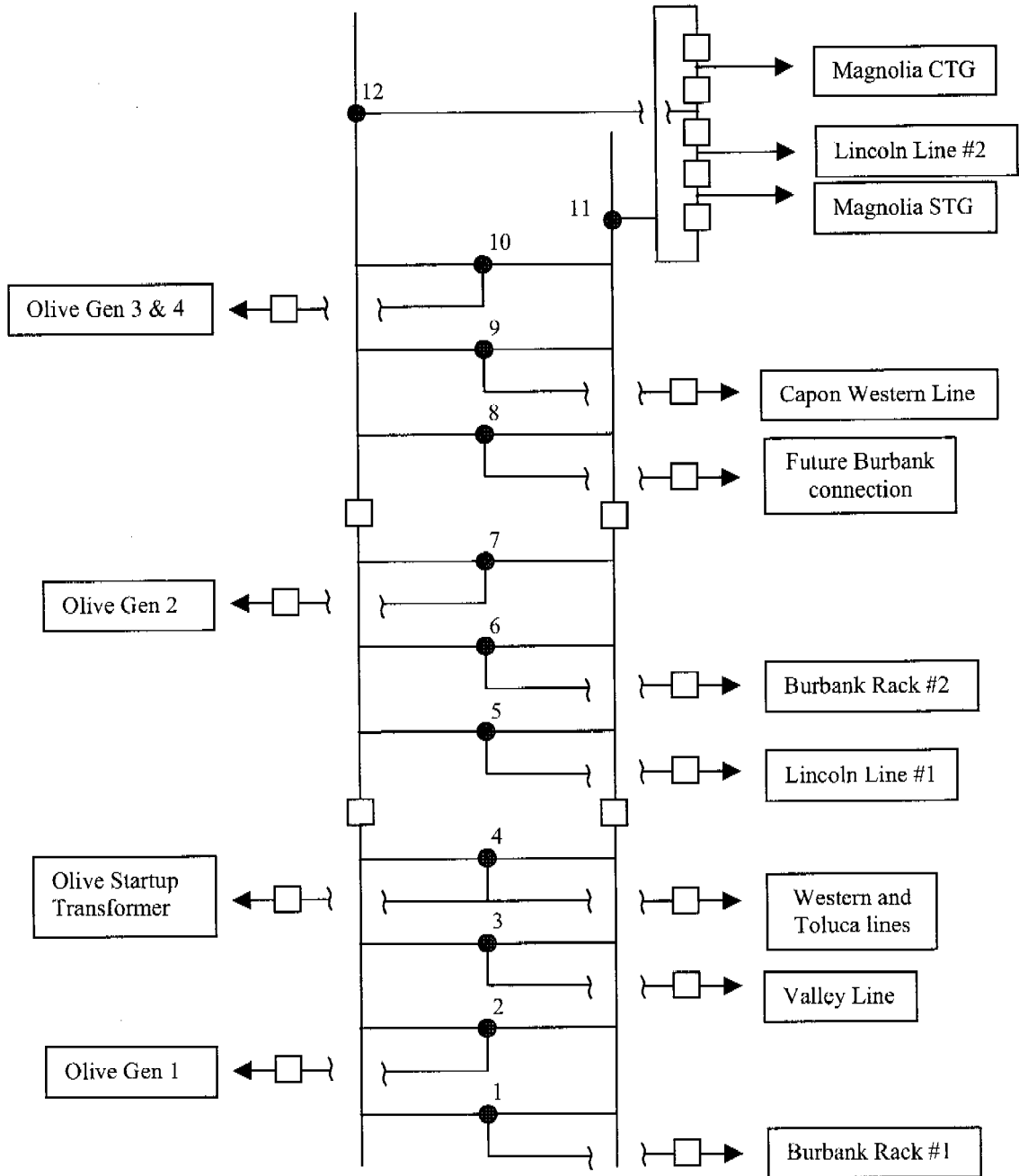
By: _____
Vice President

Attest: _____

Attachment 1

APPENDIX B

OLIVE SWITCHING STATION ONE-LINE DIAGRAM



Revised as of February 19, 2004

Attachment 2

APPENDIX D

COST RESPONSIBILITY RATIO

Formula for computation of Cost Responsibility Ratio (CRR):

$$\text{CRR} = \frac{Y}{X + Y + Z} = .167$$

Where:

X	≡	number of Connections used by Burbank	=	10
Y	≡	number of Connections used by Magnolia Project	=	2
Z	≡	number of Connections used by others	=	0

Revised as of: February 19, 2004